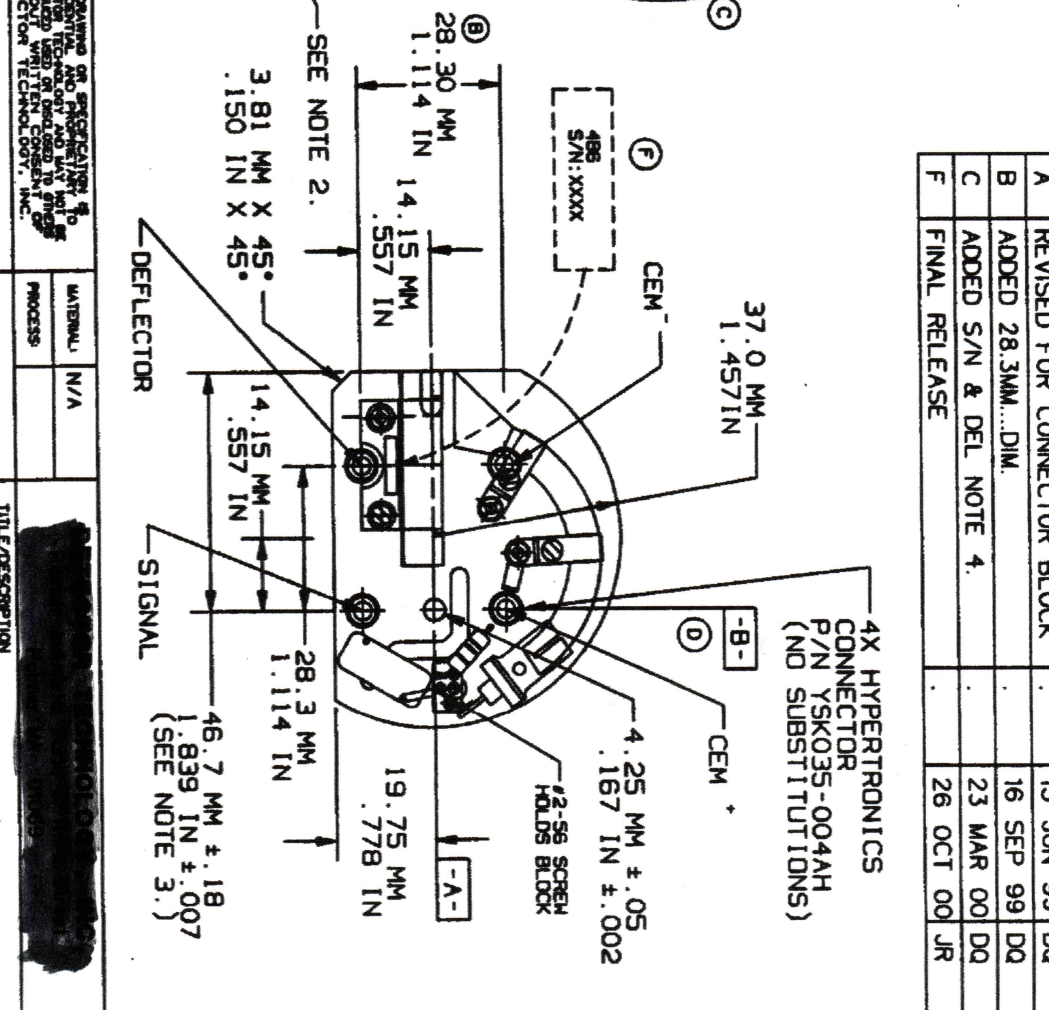
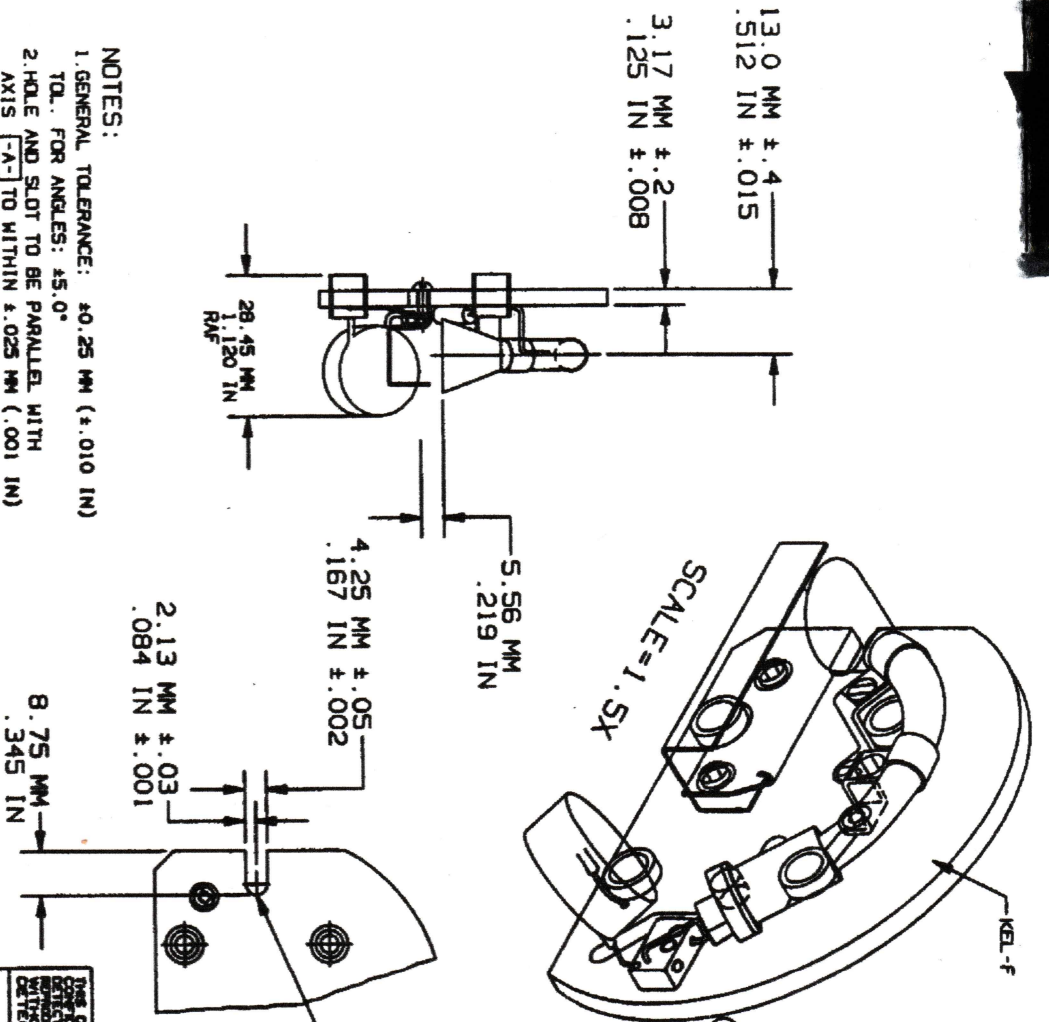


SYM	REVISION DESCRIPTION	NO.	DATE	APP.
A	REVISED FOR CONNECTOR BLOCK	.	15 JUN 99	DQ
B	ADDED 28.3MM...DIM.	.	16 SEP 99	DQ
C	ADDED S/N & DEL NOTE 4.	.	23 MAR 00	DQ
F	FINAL RELEASE	.	26 OCT 00	JR



- NOTES:
1. GENERAL TOLERANCE:  $\pm 0.25$  MM ( $\pm .010$  IN)  
TOL. FOR ANGLES:  $\pm 5.0^\circ$
  2. HOLE AND SLOT TO BE PARALLEL WITH AXIS **-A-** TO WITHIN  $\pm .025$  MM ( $.001$  IN)
  3.  $46.7 \pm .18$  (1.839  $\pm .007$ ) DIMENSION APPLIES TO CHANNEL TIP AND DEFLECTOR EDGE ONLY.

THIS DRAWING OR SPECIFICATION IS THE PROPERTY OF THE DETECTOR TECHNOLOGY AND BAY SYSTEMS DIVISION OF THE DETECTOR TECHNOLOGY, INC.		MATERIAL: N/A PROCESS:		TITLE/DESCRIPTION:	
DIMENSIONS ARE IN METERS UNLESS OTHERWISE SPECIFIED		DRAWN: DD CHECKED: DD APPROVED: DD		MODERN	
DIMENSIONS IN MILLIMETERS XX 4.00 XX 4.00 XX 4.00	DIMENSIONS IN INCHES XX 4.00 XX 4.00 XX 4.00	DATE:	SCALE: 1.5X	REVISION: F	SHEET: 1 OF 1
DRAWING NO. <b>B1850DT</b>			DRAWING NO. <b>B1850DT</b>		